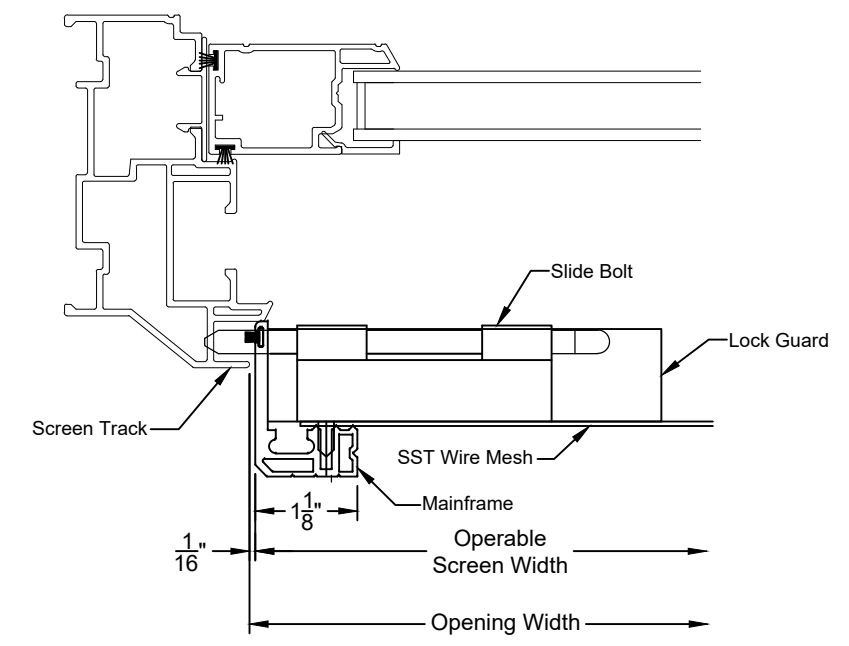
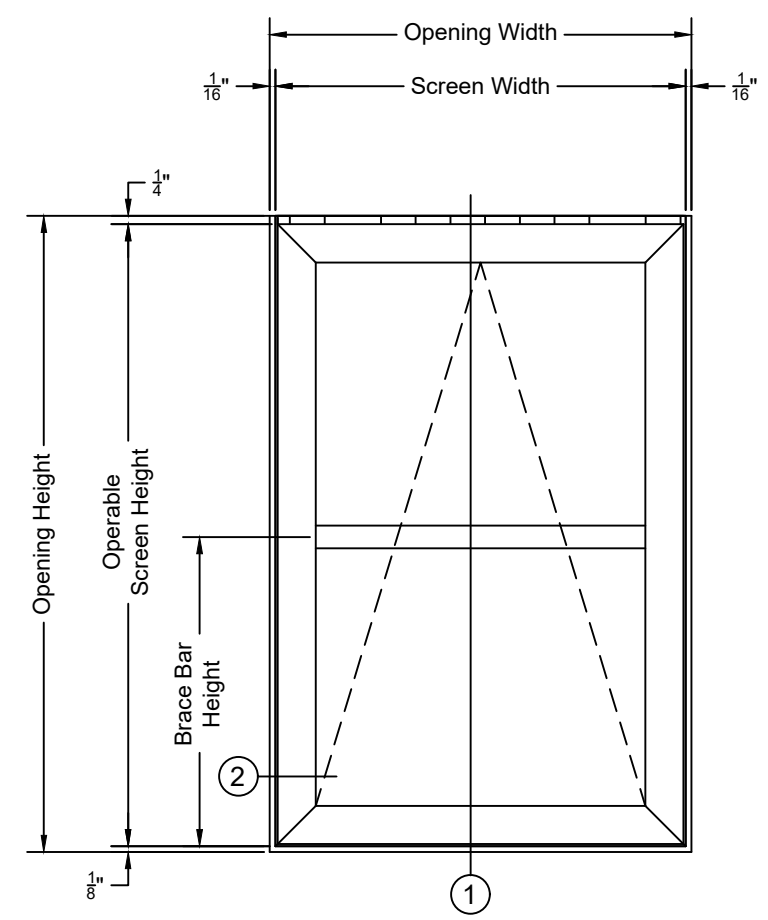


**1 Vertical Section Hinge**



**2 Operable Jamb**



PROPRIETARY AND CONFIDENTIAL  
 THE INFORMATION CONTAINED IN THIS  
 DRAWING IS THE SOLE PROPERTY OF  
 HARMONY PRODUCTS INC. ANY  
 REPRODUCTION IN PART OR AS A WHOLE  
 WITHOUT THE WRITTEN PERMISSION OF  
 <INSERT COMPANY NAME HERE> IS  
 PROHIBITED.

<b>HARMONY</b> SECURITY PRODUCTS, INC. <small>Innovative Security Solutions</small>	HARMONY PRODUCTS INC. 20 CHURCH RD. - EMIGSVILLE, PA 17318 717-767-2779 - FAX - 717-767-2918 website: www.window-shield.com
	JOB NAME: XXXXXXXX CLIENT: ABC COMPANY PRODUCT: 500 Series Top Hinged DATE: 04/27/15 DWG. BY: SAB SHEET NO.: 1 OF 1 JOB NO.: XXXXX