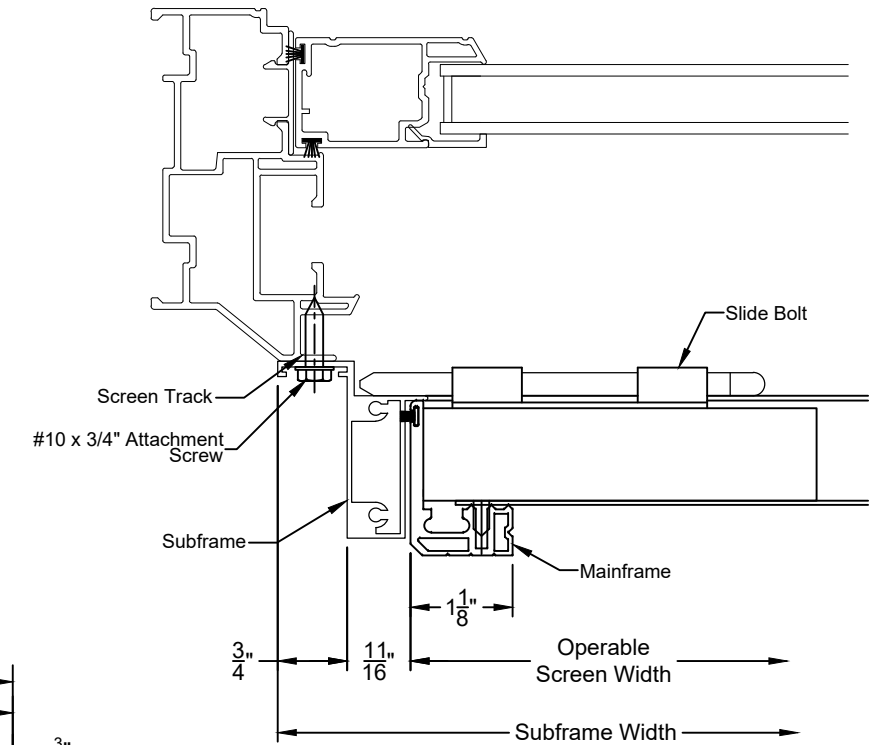
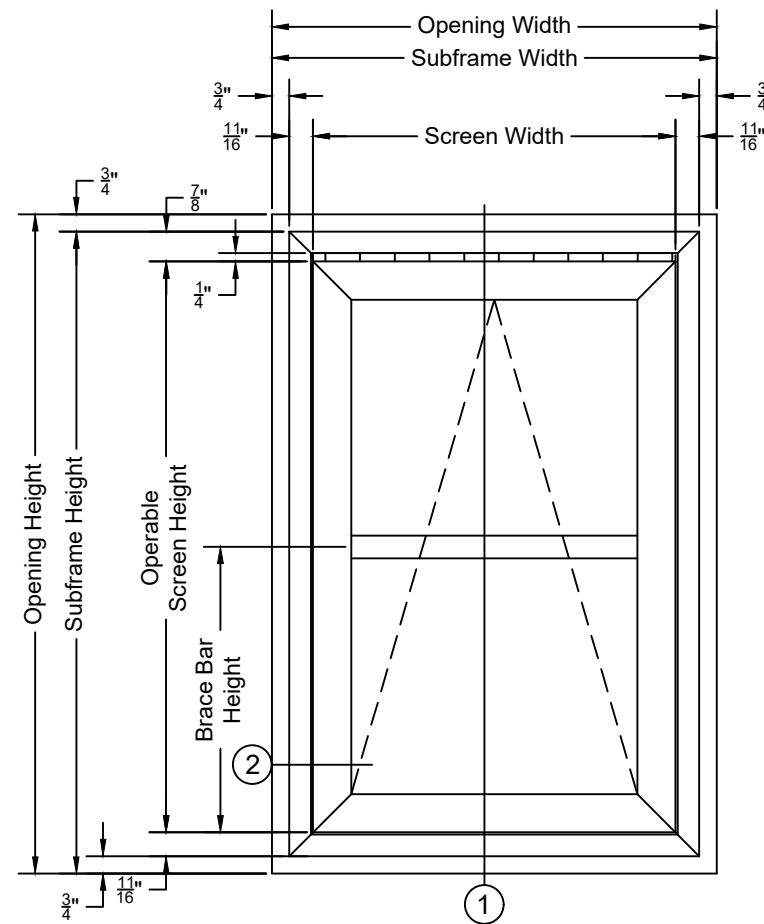


**1 Vertical Section  
Top Hinge w/ Subframe (Nailing Flange)**



**2 Operable Jamb**

PROPRIETARY AND CONFIDENTIAL  
 THE INFORMATION CONTAINED IN THIS  
 DRAWING IS THE SOLE PROPERTY OF  
 HARMONY PRODUCTS INC. ANY  
 REPRODUCTION IN PART OR AS A WHOLE  
 WITHOUT THE WRITTEN PERMISSION OF  
 <INSERT COMPANY NAME HERE> IS  
 PROHIBITED.

**HARMONY**  
 SECURITY PRODUCTS, INC.  
 Innovative Security Solutions  
 HARMONY PRODUCTS INC.  
 20 CHURCH RD. - EMIGSVILLE, PA 17318  
 717-767-2779 - FAX - 717-767-2918  
 website: www.window-shield.com

JOB NAME: XXXXXXXX  
 CLIENT: ABC COMPANY  
 PRODUCT: 500 Series Top Hinged w/ SF (Nail Flange)  
 DATE: 04/27/15 DWG. BY: SAB  
 SHEET NO.: 1 OF 1 JOB NO.: XXXXX