

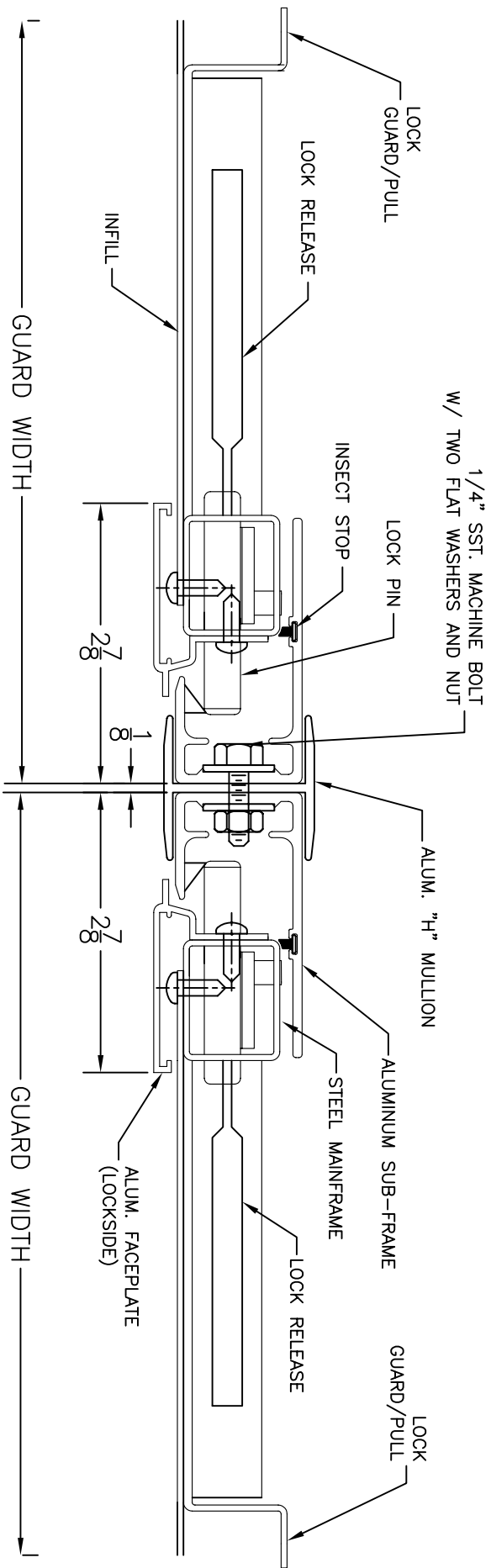
20 CHURCH RD. - EMIGSVILLE, PA 17318
 717-767-2779 - FAX - 717-767-2918
 website: www.harmonyspi.com

PRODUCT: HP-1050

DESCRIPTION: STANDARD LOCK & HINGE MULLION

DATE: 05/13/09 DWG. BY: SAB

SHEET NO.: 1 OF 1 DWG. NO.: 1050-MD-1



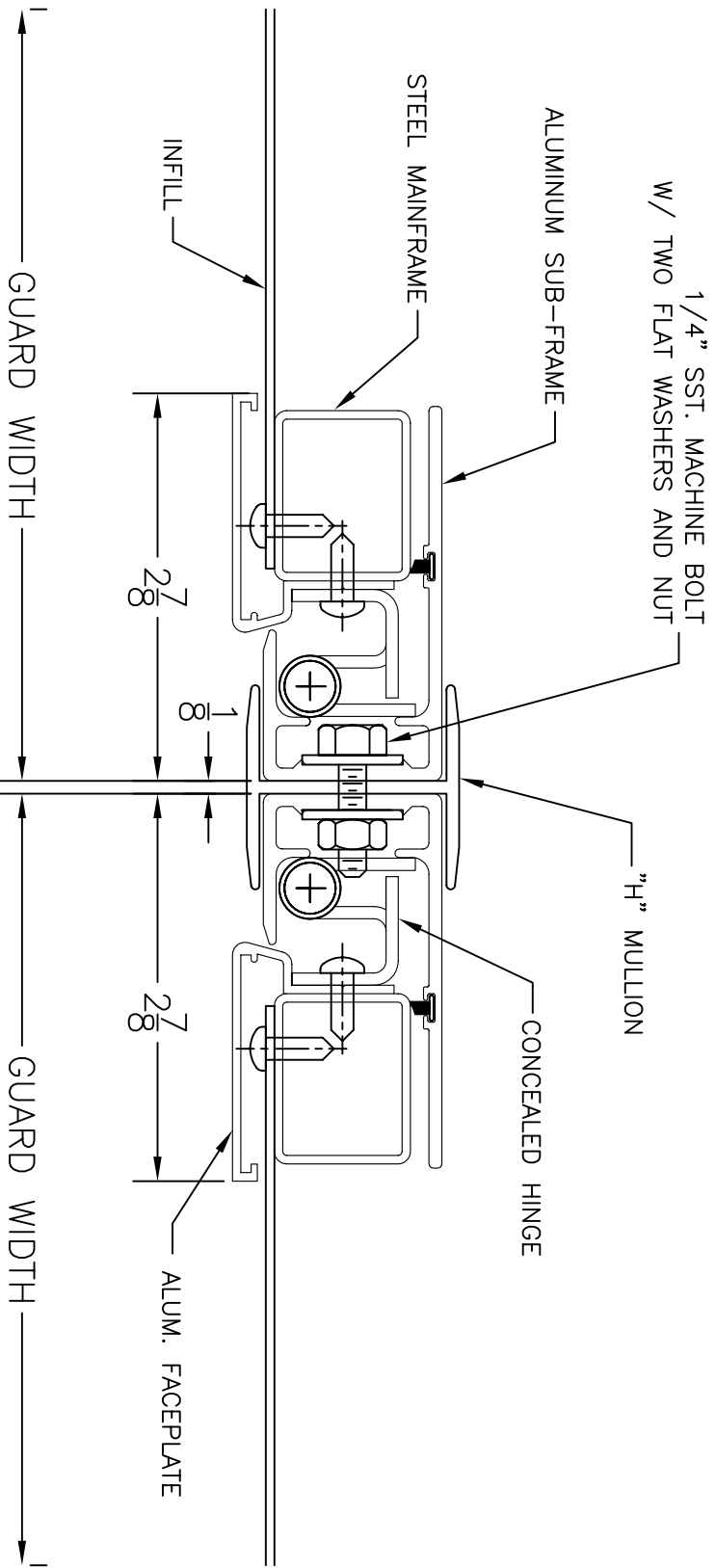
20 CHURCH RD. - EMIGSVILLE, PA 17318
 717-767-2779 - FAX - 717-767-2918
 website: www.harmonyspi.com

PRODUCT: HP-1050

DESCRIPTION: STANDARD LOCK & LOCK MULLION

DATE: 05/13/09 DWG. BY: SAB

SHEET NO.: 1 OF 1 DWG. NO.: 1050-MD-2



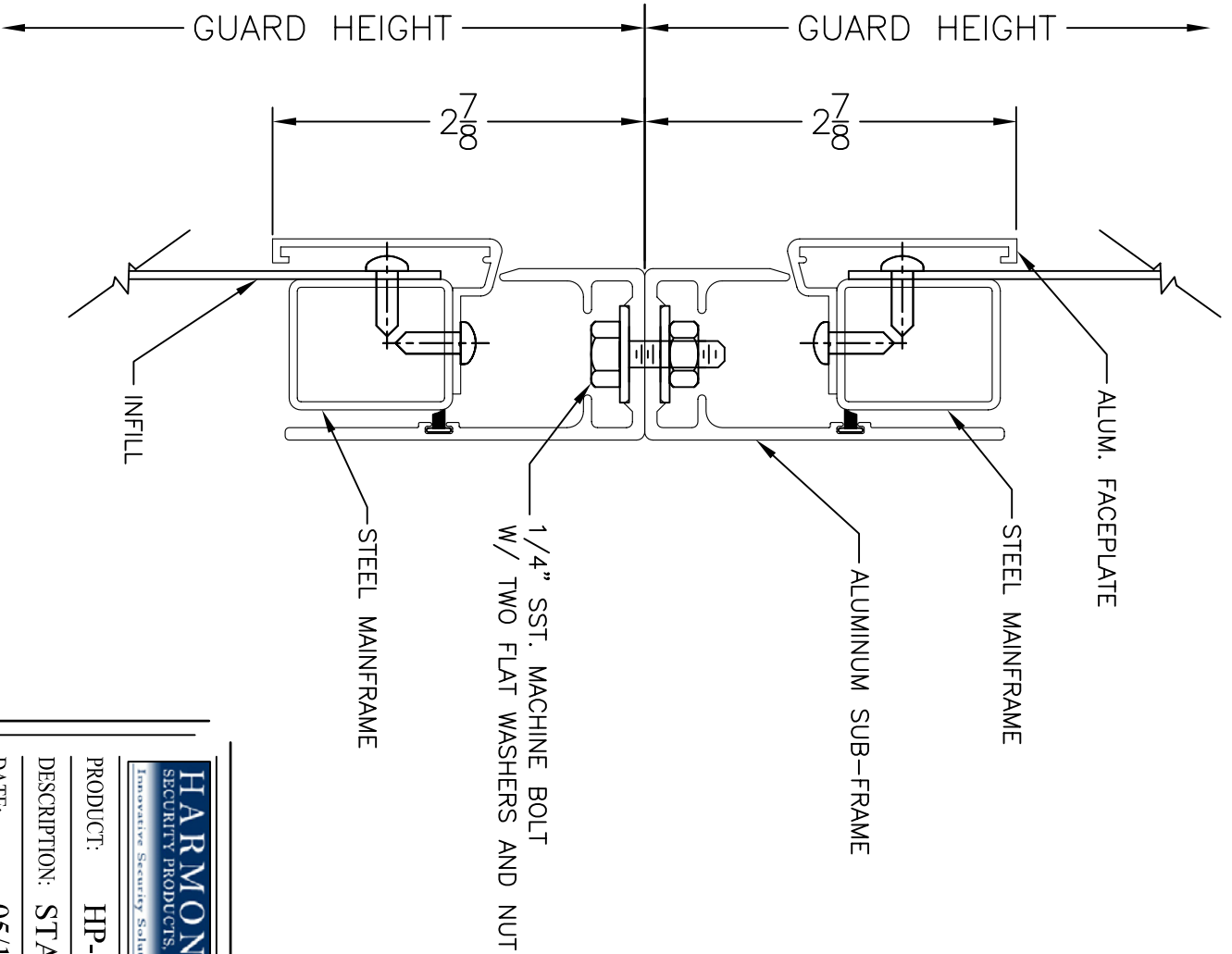
20 CHURCH RD. - EMIGSVILLE, PA 17318
 717-767-2779 - FAX - 717-767-2918
 website: www.harmonyspi.com

PRODUCT: HP-1050

DESCRIPTION: STANDARD HINGE & HINGE MULLION

DATE: 05/13/09 DWG. BY: SAB

SHEET NO.: 1 OF 1 DWG. NO.: 1050-MD-3



HARMONY
SECURITY PRODUCTS, INC.
Innovative Security Solutions

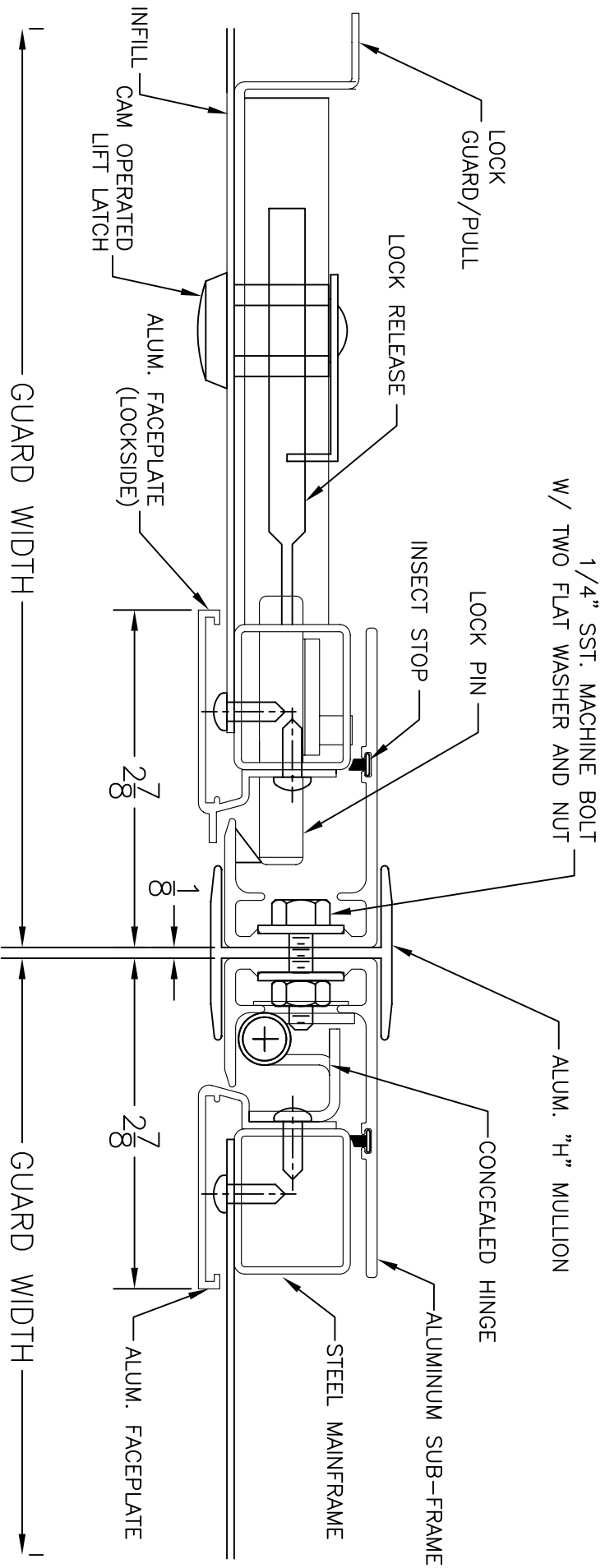
20 CHURCH RD. - EMIGSVILLE, PA 17318
717-767-2779 - FAX - 717-767-2918
website: www.harmonyspi.com

PRODUCT: HP-1050

DESCRIPTION: STANDARD HORIZONTAL MULLION

DATE: 05/13/09 DWG. BY: SAB

SHEET NO.: 1 OF 1 DWG. NO.: 1050-MD-4



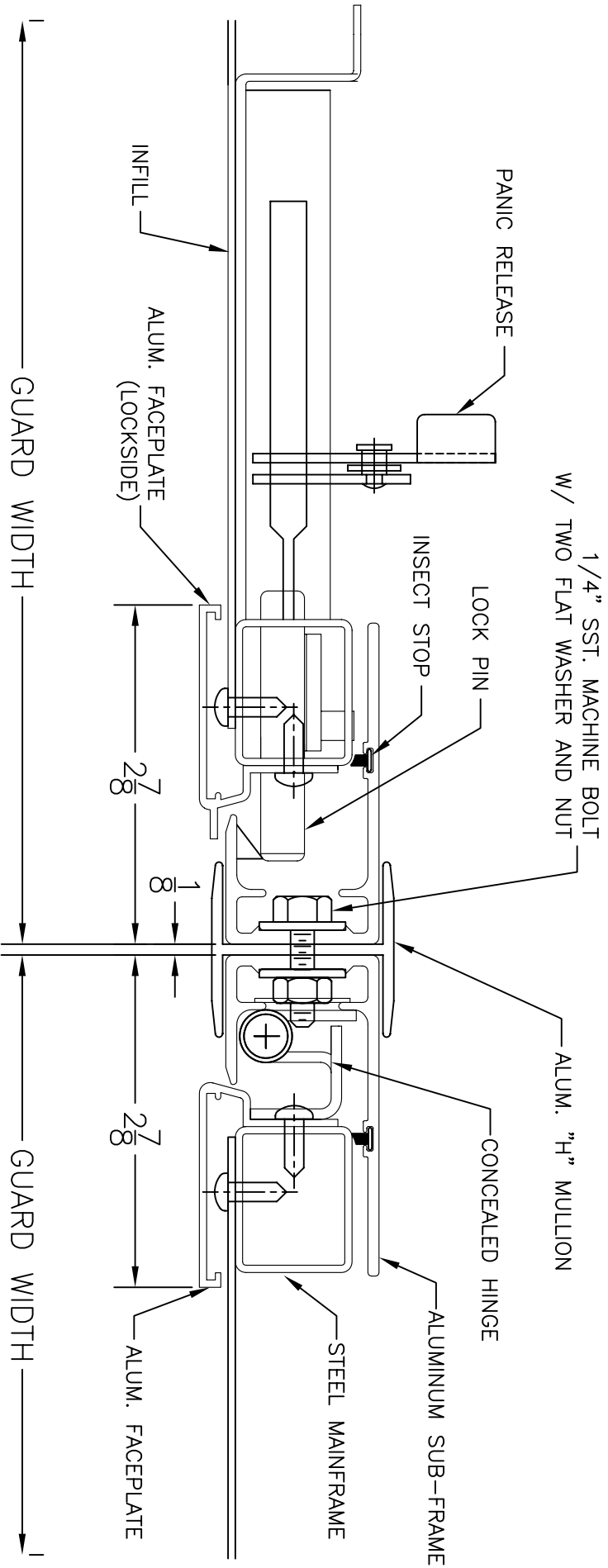
20 CHURCH RD. - EMIGSVILLE, PA 17318
 717-767-2779 - FAX - 717-767-2918
 website: www.harmonyspi.com

PRODUCT: HP-1050

DESCRIPTION: CAM OPERATED LIFT LATCH

DATE: 05/13/09 DWG. BY: CAG

SHEET NO.: 1 OF 1 DWG. NO.: 1050-MD-5



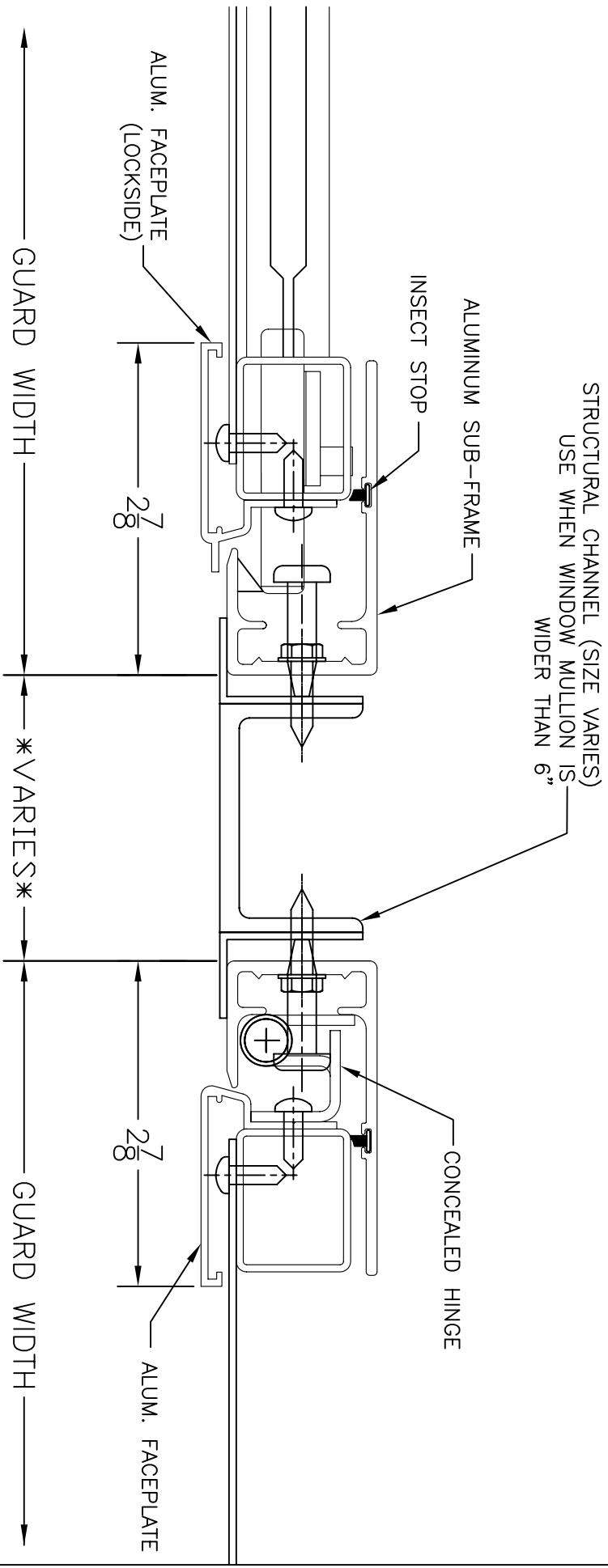
20 CHURCH RD. - EMIGSVILLE, PA 17318
 717-767-2779 - FAX - 717-767-2918
 website: www.harmonyspi.com

PRODUCT: HP-1050

DESCRIPTION: PANIC OPERATED LIFT LATCH

DATE: 05/13/09 DWG. BY: CAG

SHEET NO.: 1 OF 1 DWG NO.: 1050-MD-6



STRUCTURAL CHANNEL (SIZE VARIES)
 USE WHEN WINDOW MULLION IS
 WIDER THAN 6"

CONCEALED HINGE

ALUM. FACEPLATE
 (LOCKSIDE)

27/8

GUARD WIDTH

* VARIES *

GUARD WIDTH

27/8

ALUM. FACEPLATE



20 CHURCH RD. - EMIGSVILLE, PA 17318
 717-767-2779 - FAX - 717-767-2918
 website: www.harmonyspi.com

PRODUCT: HP-1050

DESCRIPTION: 6" OR WIDER WINDOW MULLION

DATE: 05/13/09 DWG. BY: CAG

SHEET NO.: 1 OF 1 DWG NO.: 1050-MD-7